

SONY®

VIDEOCASSETTE RECORDER **Betamax**

SL-7200

Ready reference cards

The instruction manual of the SL-7200 is composed of this card and the accompanying booklet. This card is supplied for reference in normal operation of the set (when used with a TV receiver). For the functions of the auxiliary controls and other operating procedures, refer to the accompanying booklet. Connections are shown on pages 4 to 7 of the booklet.

To operate the set referring to this card:

1. Make the preparations indicated in ● in the upper part on each page.
2. Operate the set and/or the TV receiver following the step numbers indicated in ● in the lower part on each page.

NORMAL TV VIEWING
RECORDING TV PROGRAMS
PLAYBACK
RECORDING ONE TV PROGRAM WHILE VIEWING ANOTHER
TIMER RECORDING
CHECKING THE SET

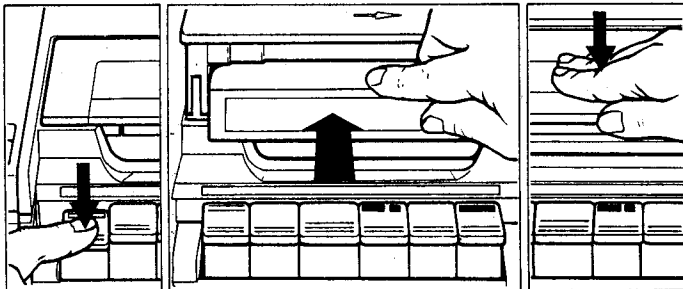
OPERATING NOTES

● To insert a videocassette as instructed in step ① in each procedure, proceed as follows:

① Press EJECT.

② Insert a cassette.

③ Press down.

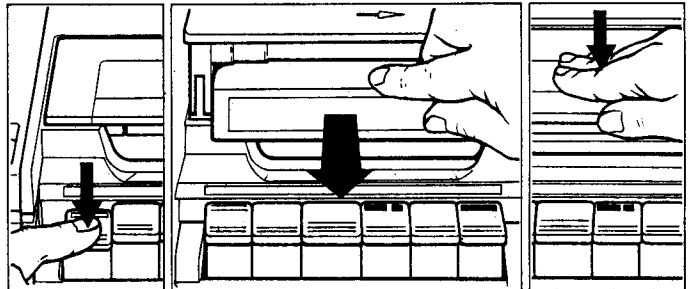


● To remove the videocassette, proceed as follows:

① Press EJECT.

② After the STAND BY Lamp goes out, remove the cassette.

③ Press down.



● Always wait until the STAND BY Lamp goes out before pressing function buttons. (For further information, refer to page 11 of the accompanying booklet.)

● Always press the STOP Button to stop recording, playback, rewind or fast forward, before changing functions.

when the recorder is not to be operated for any length of time.

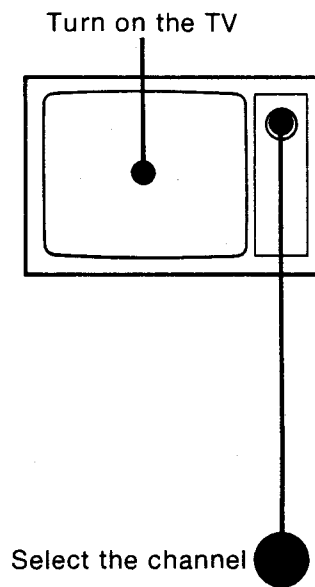
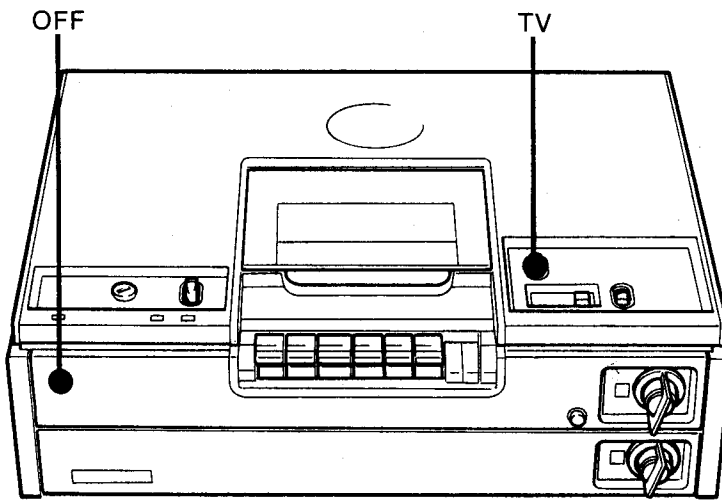
● After recording, press the REWIND Button for playback.

The Tape COUNTER and MEMORY Switch may be used for precise program relocation in the recorded tape. (For further information, refer to page 10 of the accompanying booklet.)

● To advance the tape rapidly, press the Fast Forward [F FWD] Button.

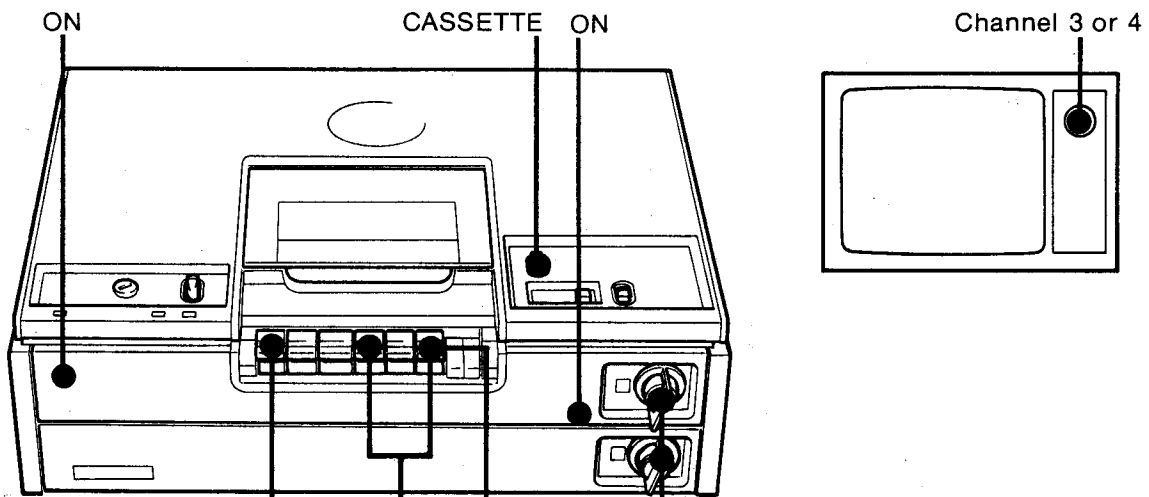
● To view the output signal from the RF Unit on your TV, set the channel selector on the TV to the operating channel of the RF Unit (Channel 3 for the SL-7200 3CH, or Channel 4 for the SL-7200 4CH). Either a telecast TV signal or an output signal from the RF Unit may be obtained from the VHF OUT Connector, depending upon the position of the PROGRAM SELECTOR.

NORMAL TV VIEWING



RECORDING TV PROGRAMS

Before making a recording, check that the Safety Tab at the bottom of the cassette has not been removed.



Insert a videocassette **1**

3 Select the channel

Hold down RECORD and press PLAY **4**

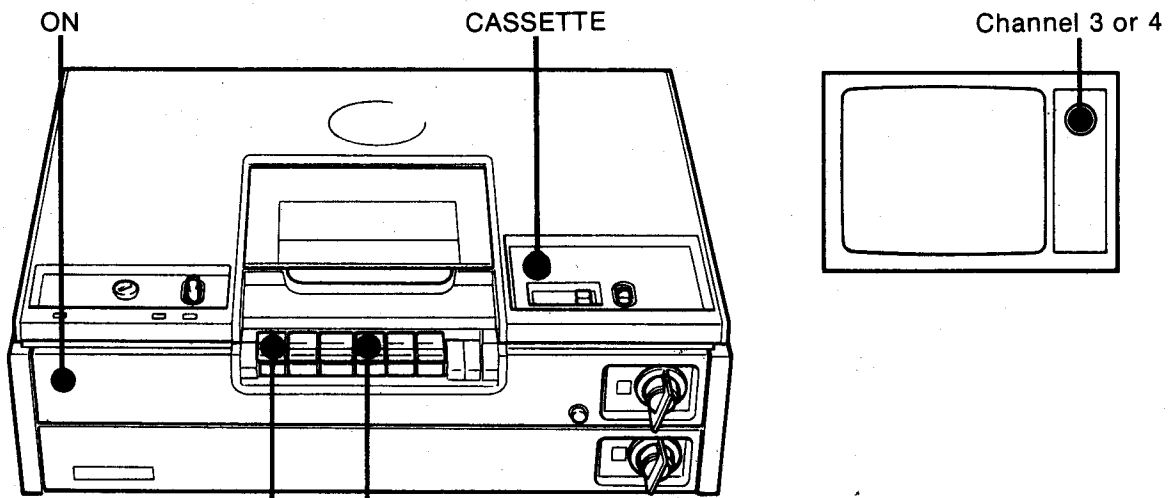
2 Press RECORD

Caution

Television programs, films, video tapes and other materials may be copyrighted.

Unauthorized recording of such material may be contrary to the provisions of United States copyright laws.

PLAYBACK



Insert a recorded videocassette

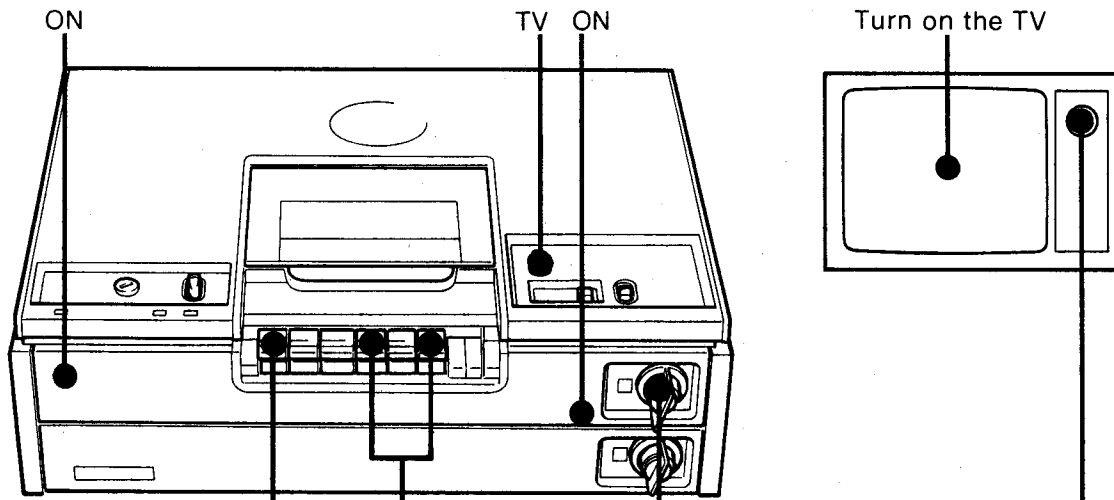
1

2

After the STAND BY Lamp goes out, press PLAY

RECORDING ONE TV PROGRAM WHILE VIEWING ANOTHER

Before making a recording, check that the Safety Tab at the bottom of the cassette has not been removed.



Insert a videocassette **1**

Hold down RECORD and press PLAY **4**

3 Select the channel to be recorded

Select the channel to be viewed **2**

To Check the Program Being Recorded

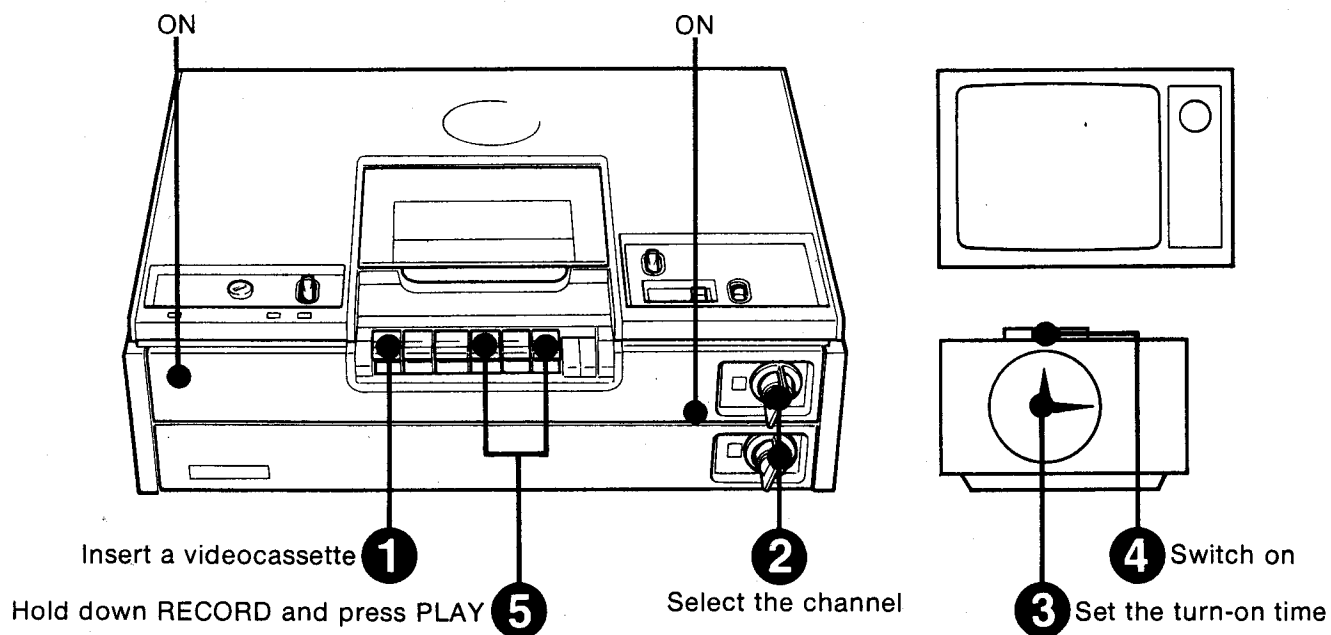
If it is desired to check the TV program being recorded, proceed as follows:

- 1 Set the PROGRAM SELECTor to CASSETTE.
- 2 Set the channel selector on the TV to Channel 3 or 4.
- 3 After checking the program, reset the PROGRAM SELECTor to TV.
- 4 Reset the channel selector on the TV to the channel to be viewed.

TIMER RECORDING

With the use of an optional timer, timer recording is possible while the recorder is unattended.

Before inserting the cassette, check that the Safety Tab at the bottom of the cassette has not been removed.



- After the tape has run out, the recorder will shut off automatically.
- As an optional timer, Sony Digital Timer DT-20 is available.

CHECKING THE SET

Apparent malfunctions may be caused by slight misadjustment of the controls or other simple cause. Should any difficulty arise in the operation of the set, check through this list of symptoms and corrections. Should the difficulty persist, unplug the set and contact your dealer.

Symptom	Possible cause
The power is not supplied. (The Pilot Lamp does not light.)	<ul style="list-style-type: none">· Is the set plugged into a working outlet?· If an optional timer is connected, check that it is not set to a turn-on time.
No color, too indistinct picture on the TV	<ul style="list-style-type: none">· Is the PROGRAM SELECTor set to TV?
Snow or streaks in the playback picture	<ul style="list-style-type: none">· Adjust the TRACKING Control. (Did you turn the control? If you did, return it to its center detent position. If you didn't, turn it slowly in either direction.)· Video-head cleaning may be required. Consult Sony service personnel.
Recording or playback cannot be made.	<ul style="list-style-type: none">· Check that the connections are made correctly.· Insert the videocassette.· Check that the PAUSE Switch is returned.
The RECORD Button cannot be pressed.	<ul style="list-style-type: none">· Check that the Safety Tab has not been removed from the cassette.· Insert the videocassette.
The PLAY Button cannot be pressed.	<ul style="list-style-type: none">· Insert the videocassette.
The machine stops in rewind before the end of the tape.	<ul style="list-style-type: none">· Set the MEMORY Switch to OFF.
Rewind, forward or fast forward operation does not function.	<ul style="list-style-type: none">· Check that the tape is not at the either end.